

# DD523 Single-phase Watt-hours Meter (long life technology)

## Application

The series dd523 single-phase watt-hours meter(long life technology)is latest electric power meter that is developed on the base of absorbing the long life technology home and abroad, manufacture craft and material. The meter can operate for over twenty-five years without maintenance.

## Characteristic

- 1.The voltage & current units are integrated by rivet with yoke. The worm and rotary shaft is of integration design to assure reliable structure and accurate, stable metering.
- 2.The magnetic suspension bearing supports the rotary component. The upper and low guide needle features long life of operation without maintenance for the imported graphite bearing with self lubrication and low friction coefficient and metering device made of high strength self lubrication plastic.
- 3.The thin & long structure of voltage coil and low consumption rivet iron core can lower temperature rise in the product and leave the active power consumption less than 1W.
- 4.The integrated bottom knob is made from qualified thermosetting metlbond resin by injection. And the full transparent cover made of makrolan and radiation-proof trademark leave the meter a good sealing and high protection degree and the ability to operate long, safely and reliably.
- 5.The metering characteristic curve is plain. The alteration in terms of voltage, frequency, temperature and working position affects the accuracy slightly, which will give the meter good consistency.6The three adjustment points of full load, force ration and light load has slight affection each other.

## Specification and main technical data

Type	Reference voltage(V)	Basic current Ib(A)	Reference frequency (Hz)	Accuracy (class)	Starting current(%Ib)
DD523	110 220 240	5(20), 5(30), 10(40), 10(60), 15(60), 15(100), 20(80),30(100)	50~60	1.0~2.0	0.4%Ib



DD523-(E)  
CLASS COVER (PLUG-IN TYPE)

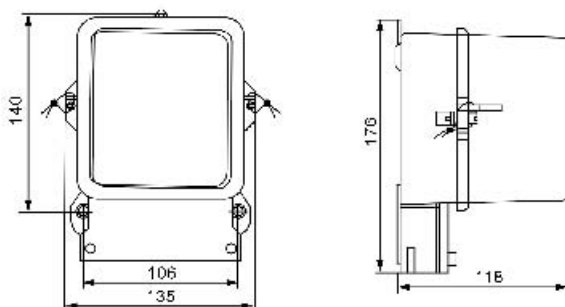


DD523-(B)  
TRANSPARENT COVER

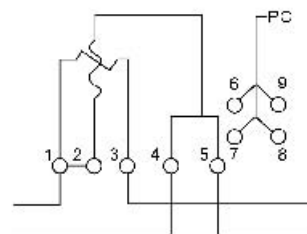


DD523-(D)  
TRANSPARENT COVER

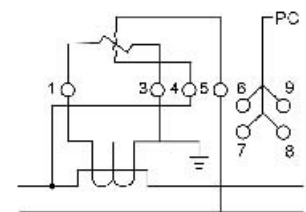
## Outer and mount dimension



## Wiring diagram



Direct-wiring type  
watt-hours meter



Wiring-by-current transformer  
watt-hours meter